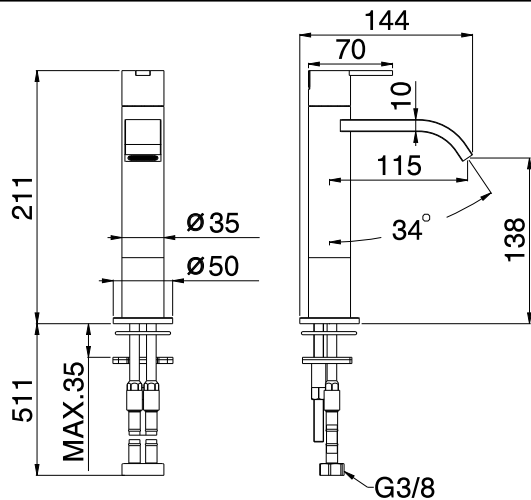
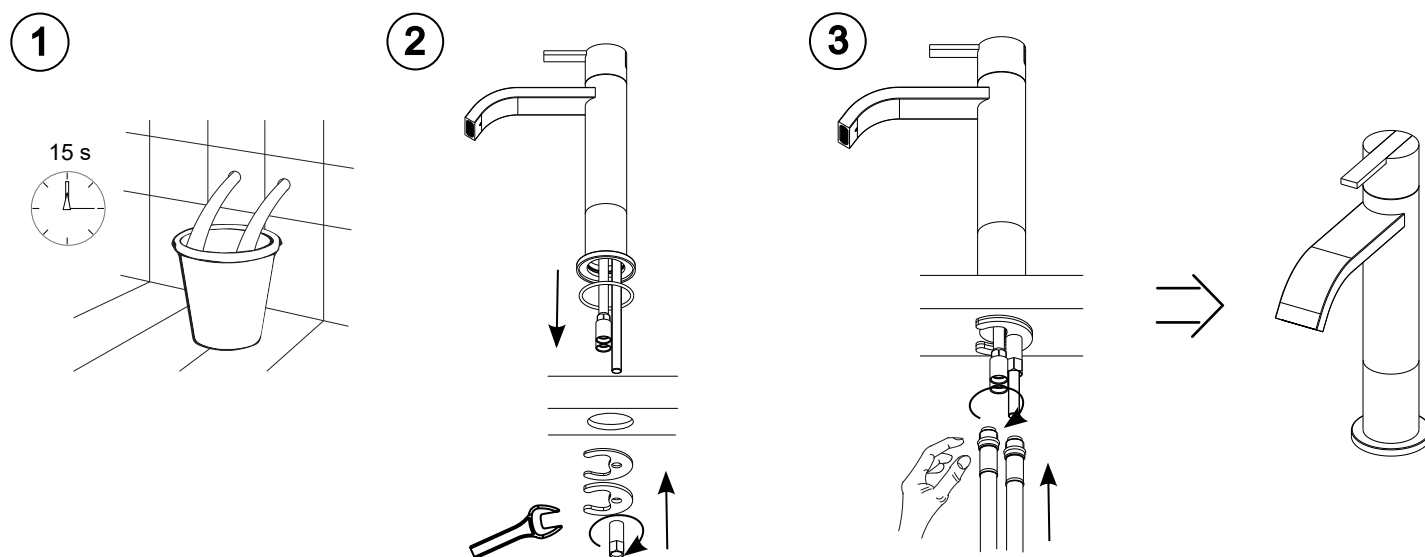


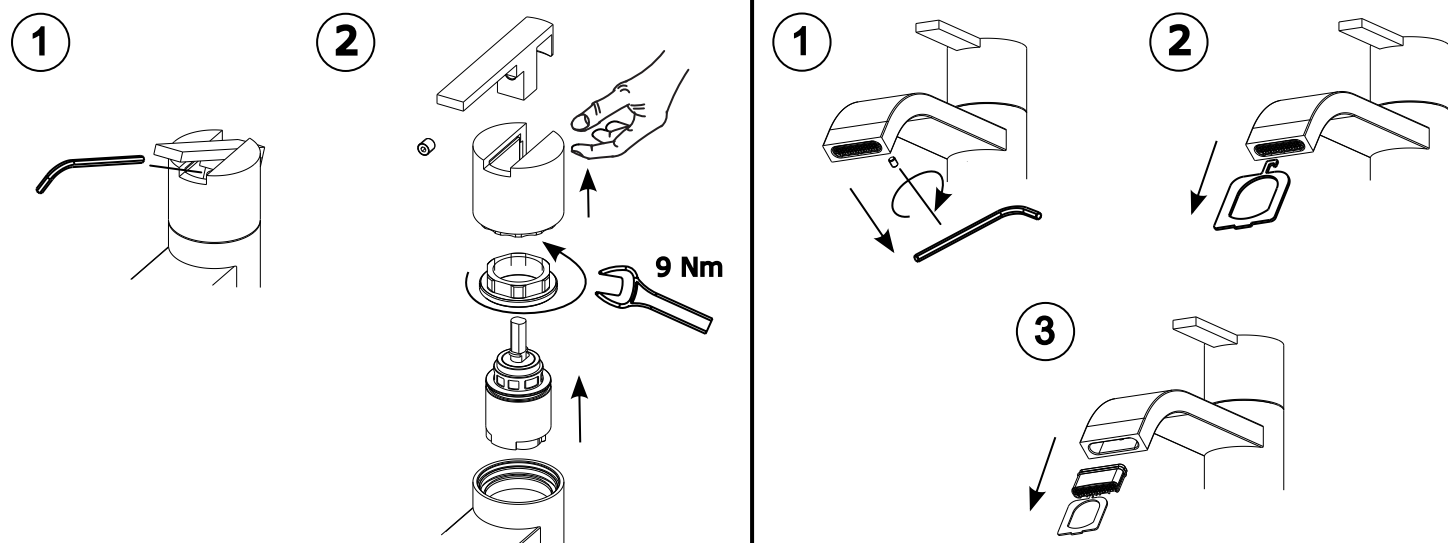
INSTRUCTION



INSTALLATION



MAINTENANCE



OPERATING CONDITIONS

Cold water temperature	5-25 °C	41-77°F
Hot water temperature	55-65 °C	13-149°F
Suggested hot water temperature	60 °C	140°F
Permissible dynamic hydraulic pressure	1-5 Bar	15-73 psi
Suggested dynamic hydraulic pressure	3 Bar	45 psi